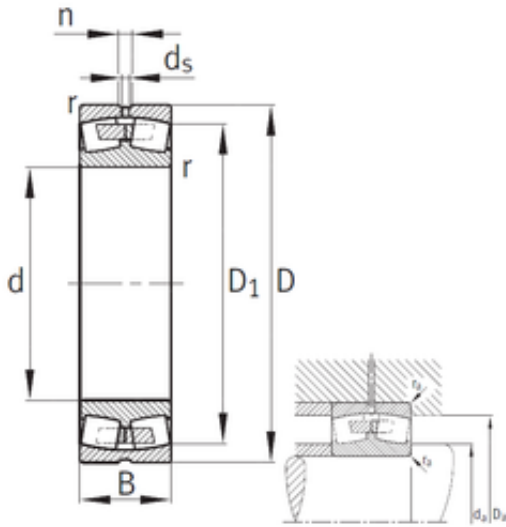




Shandong Weisen Bearing Co., Ltd



260 mm x 440 mm x 180 mm FAG 24152-B-K30 Spherical roller bearings

Bearing No. 24152-B-K30

Size	260x440x180 mm
Bore Diameter	260 mm
Outer Diameter	440 mm
Width	180 mm
d	260 mm
D	440 mm
B	180 mm
C	180 mm
n	15 mm
r min.	4 mm
D1	370,3 mm
da min.	277 mm
Da max.	423 mm
ra max.	3 mm
d5	8 r/min
Weight	112 Kg
Basic dynamic load rating (C)	2700 kN
Basic static load rating (C0)	5100 kN
Fatigue load limit (Pu)	315
Reference speed	550 r/min
Limiting speed	1 100 r/min
Calculation factor (e)	0,42
Calculation factor (Y0)	1,58
Calculation factor (Y1)	1,61

24152-B-K30 Bearing 2D drawings and 3D CAD models